

DONVEL MEASUREMENT SHEET

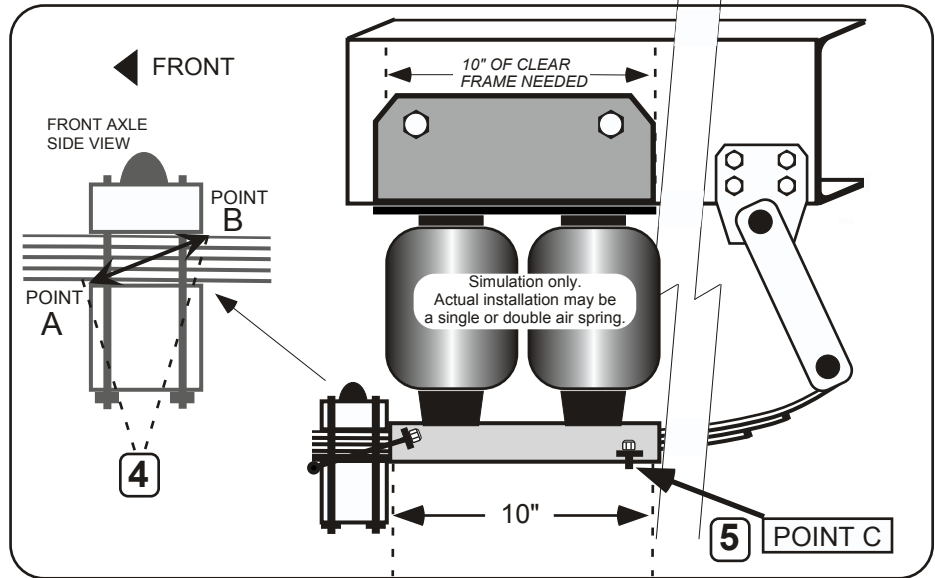
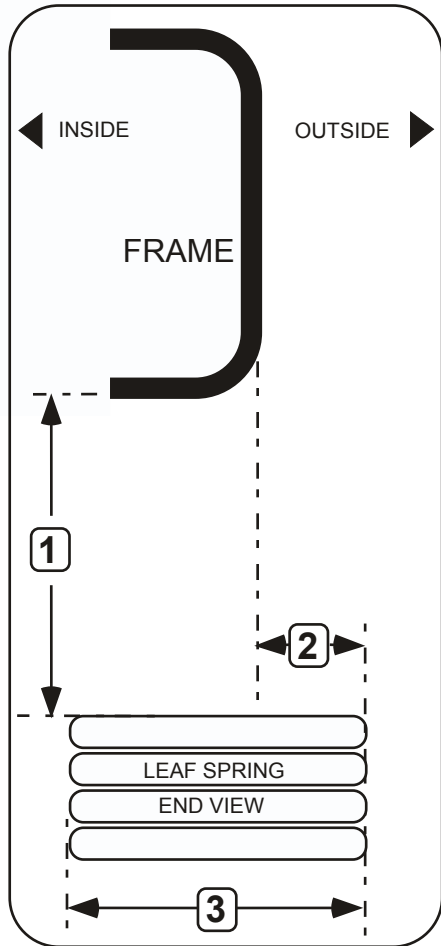
NAME/COMPANY _____

ADDRESS _____

CONTACT PERSON _____

PHONE _____ FAX _____

YEAR/MAKE/MODEL _____ STEER AXLE WEIGHT _____



6 MEASUREMENTS NEEDED FOR CUSTOM VEHICLE FIT ▼

	AT POINT B "	AT POINT C "
1 Distance between the bottom of the frame and the top of the leaf spring.	▶	▶
2 Offset. Distance that the outside edge of the spring is offset from the outside edge of the frame.	Left " ▶	Right " ▶
3 Width of leaf spring at axle block.	▶	" ▶
4 Diagonal measurement along one side of front axle block. From point A, (front-bottom) to point B, (rear-top).	▶	" ▶
5 Thickness (vertical) of leaf spring at point C. Point C is 10" from back edge of axle block.	▶	" ▶
6 Number of leaves in spring	▶	▶

If you would like to use this sheet for ordering, please let us know by checking the box.

Gauge Bezel
 Chrome or Black

If truck is equipped with 18,000 lb. (or greater) front springs, give vertical thickness (#5) at 4-1/2", 6-1/2" & 10"

NOTES: _____