

DONVEL STABILIZERS - MEASUREMENT SHEET (Rev 4)

HELP US GIVE YOUR TRUCK A CUSTOM FIT

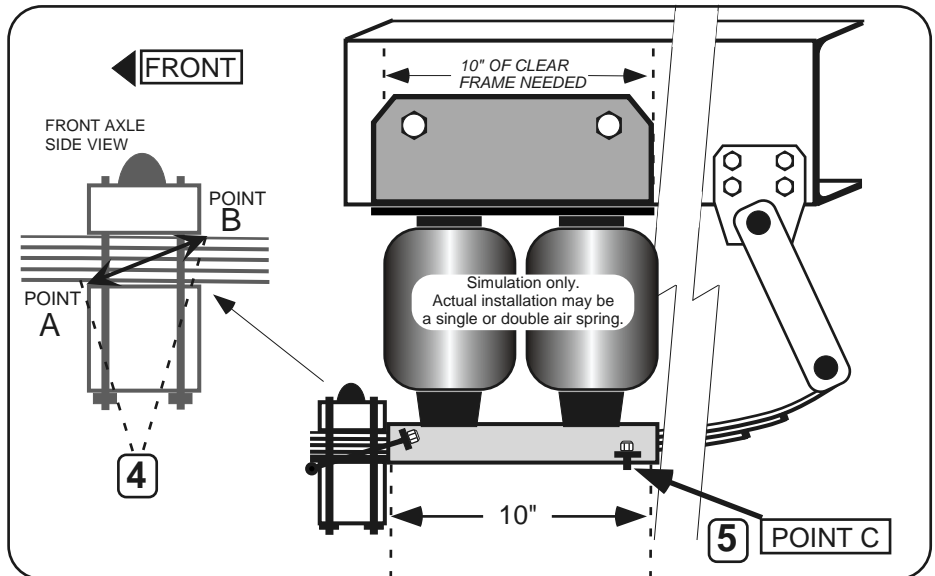
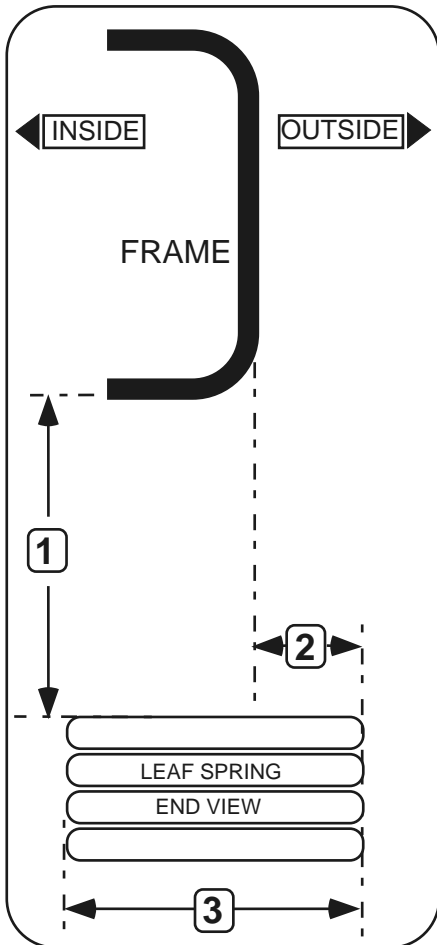
NAME / COMPANY _____

ADDRESS _____

CONTACT PERSON _____

PHONE _____ FAX _____

YEAR / MAKE / MODEL _____ STEER AXLE WEIGHT _____



INFORMATION NEEDED FOR CUSTOM VEHICLE FIT

	AT POINT B "	AT POINT C "
1 Distance between the bottom of the frame and the top of the leaf spring.	▶	▶
2 Offset. Distance that the outside edge of the spring is offset from the outside edge of the frame.	▶ Driver side (Left) "	▶ Passenger side (Right) "
3 Width of leaf spring at axle block.	▶	▶ "
4 Diagonal measurement along one side of front axle block. From point A, (front-bottom) to point B, (rear-top).	▶	▶ "
5 Thickness (vertical) of leaf spring at point C. Point C is 10" from back edge of axle block.	▶	▶ "
6 Number of leaves in spring	▶	▶
7 What engine make?	▶	
8 Please take 4 digital photos of the steer axle, left & right side, from front and rear, showing frame, spring and axle block. Email photos to donvel.inc@gmail.com	▶	

Please check preferences:

Dash mounted gauge and valve
OR
 Black bezel bracket with pre-assembled gauge and valve for knee level mounting (no extra charge)

Chrome Gauge outer ring preference
OR
 Black

NOTES:
